

Fg/Sh	Index
1	COVER
2	ELECTRIC POWER
3	CONTROL UNIT MEASUREMENTS
4	BINARY OUTPUTS
5	ANALOGIC INPUTS
6	BINARY INPUTS
7	AUTOMATIC FUEL TRANSFER SYSTEM
8	COMPONENT LIST 1
9	COMPONENT LIST 2
10	TERMINAL BOARD

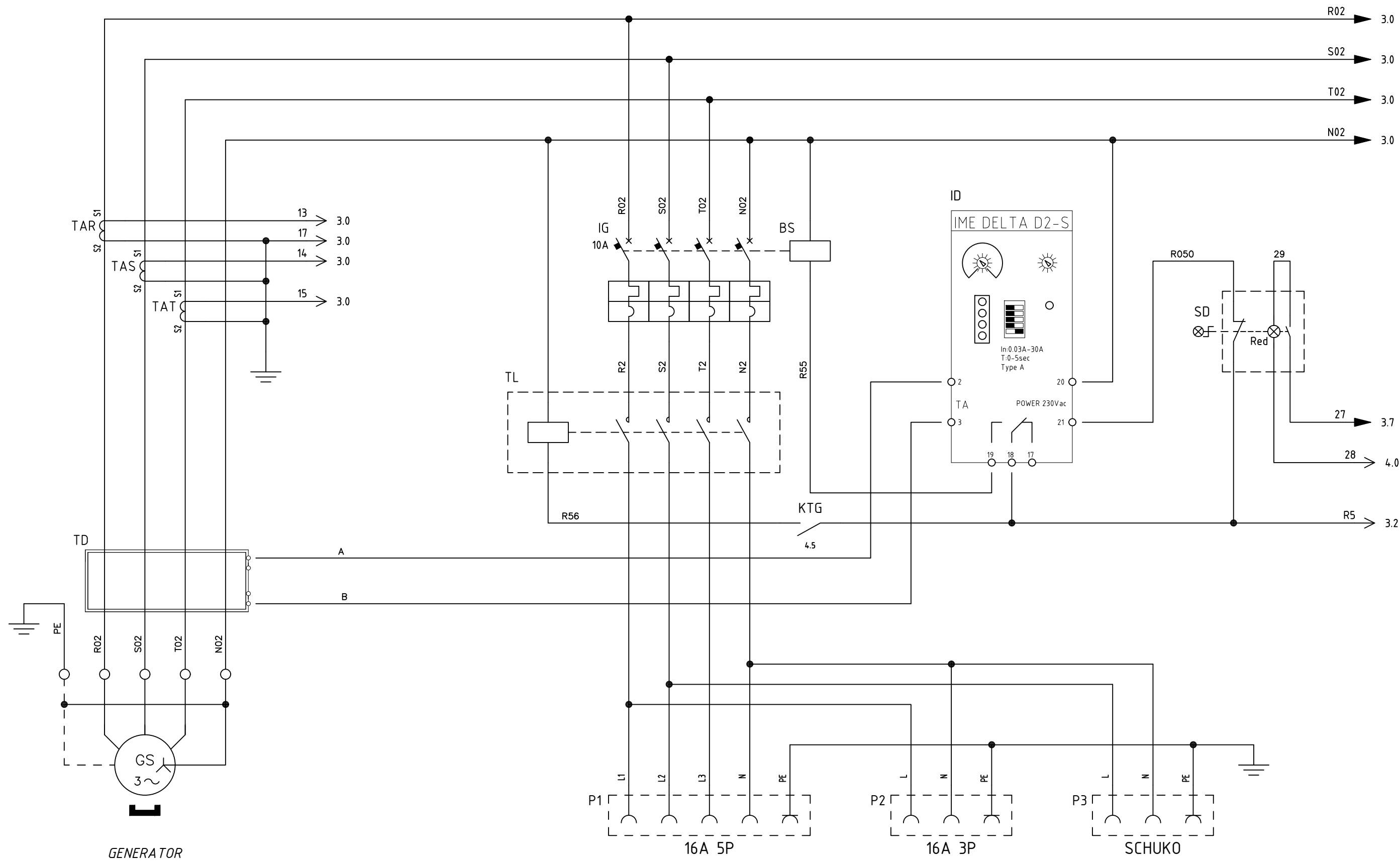
AUTOMATSTART GPDS6000YT GENERATOR SET CONTROL PANEL

CONTROL UNIT	ILN-AMF5 (MRS)	MODEL	GPDS6000YT
VERSION	MANUAL	DEGREE OF PROTECTION	IP44
TENSIONE VOLTAGE	400V 3F+N	POWER	6KVA
BATTERY VOLTAGE	12Vdc	CURRENT	8.6A
Logic	L100-Y		
Optional	LOAD INSERTION CONTACTOR FUEL TRANSFER KIT		



Projekt **nr.1480403**

Dis. N.	E349-23	Impianto	ELECTRIC PANEL	Ordine	///	FOGLIO	1
CAD	SPAC	Denominazione	COVER			SEGUE	2
Esecutore	BM			Data	11/04/24		



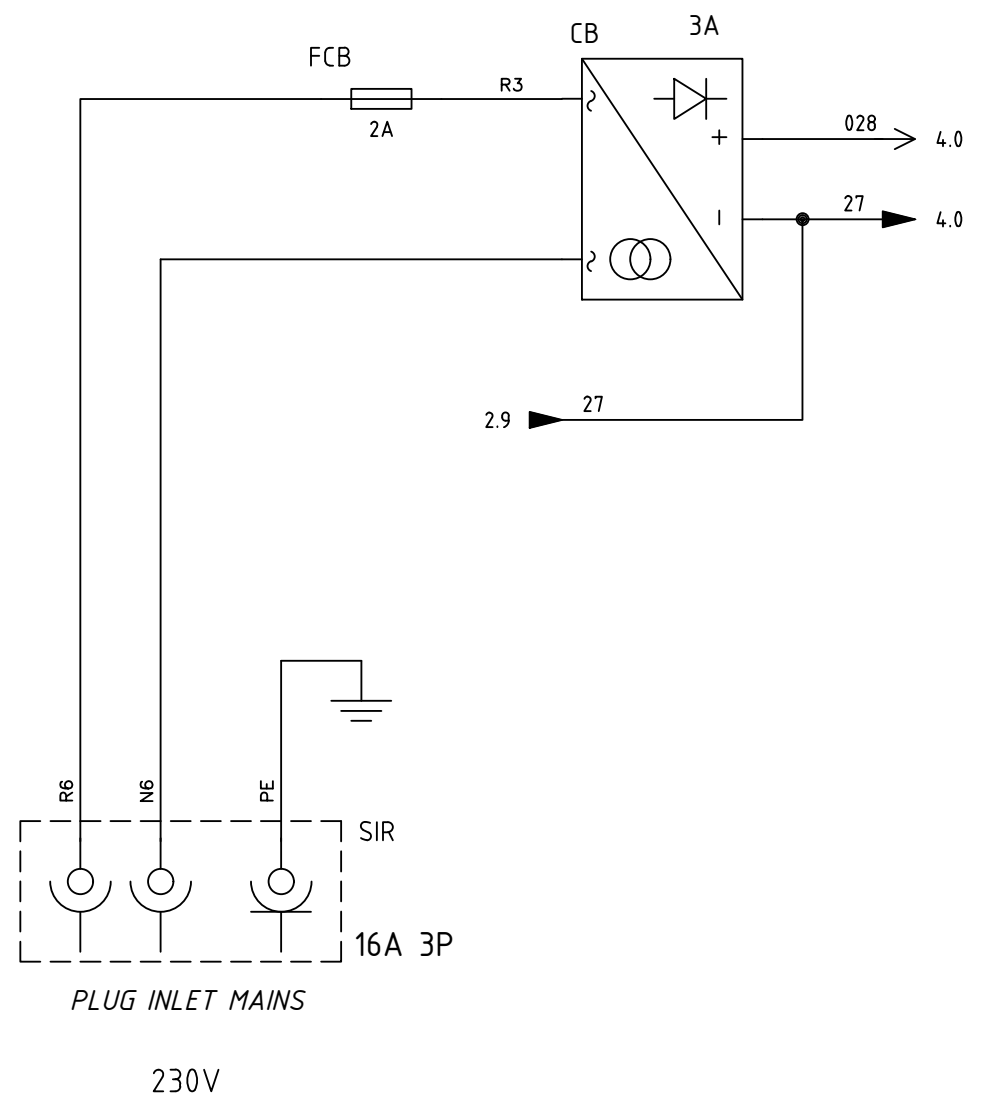
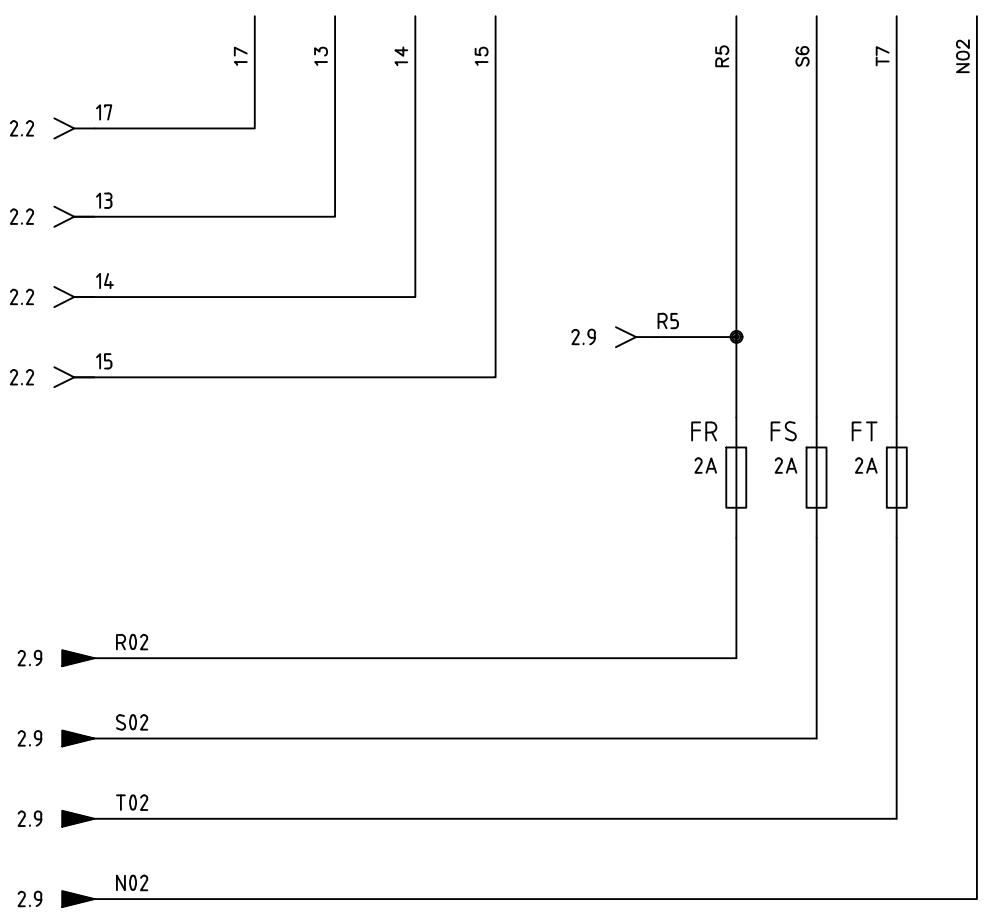
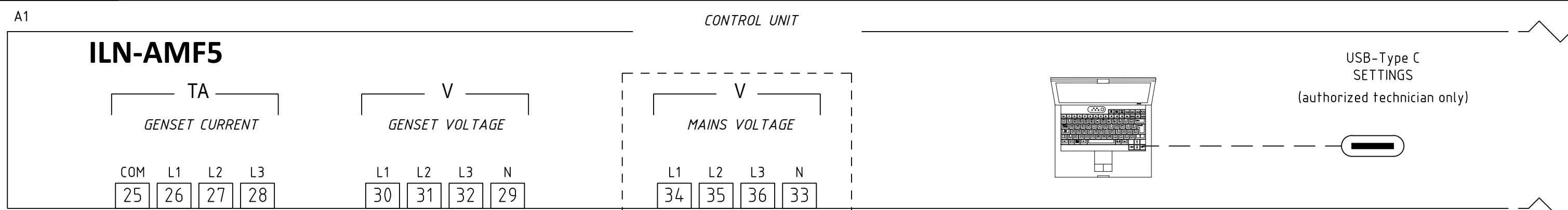
Projekt nr.1480403

Dis. N.	E349-23
CAD	SPAC
Esecutore	BM

Impianto	ELECTRIC PANEL
Denominazione	POWER PART

Ordine	///
Data	11/04/24

FOGLIO	2
SEGUE	3



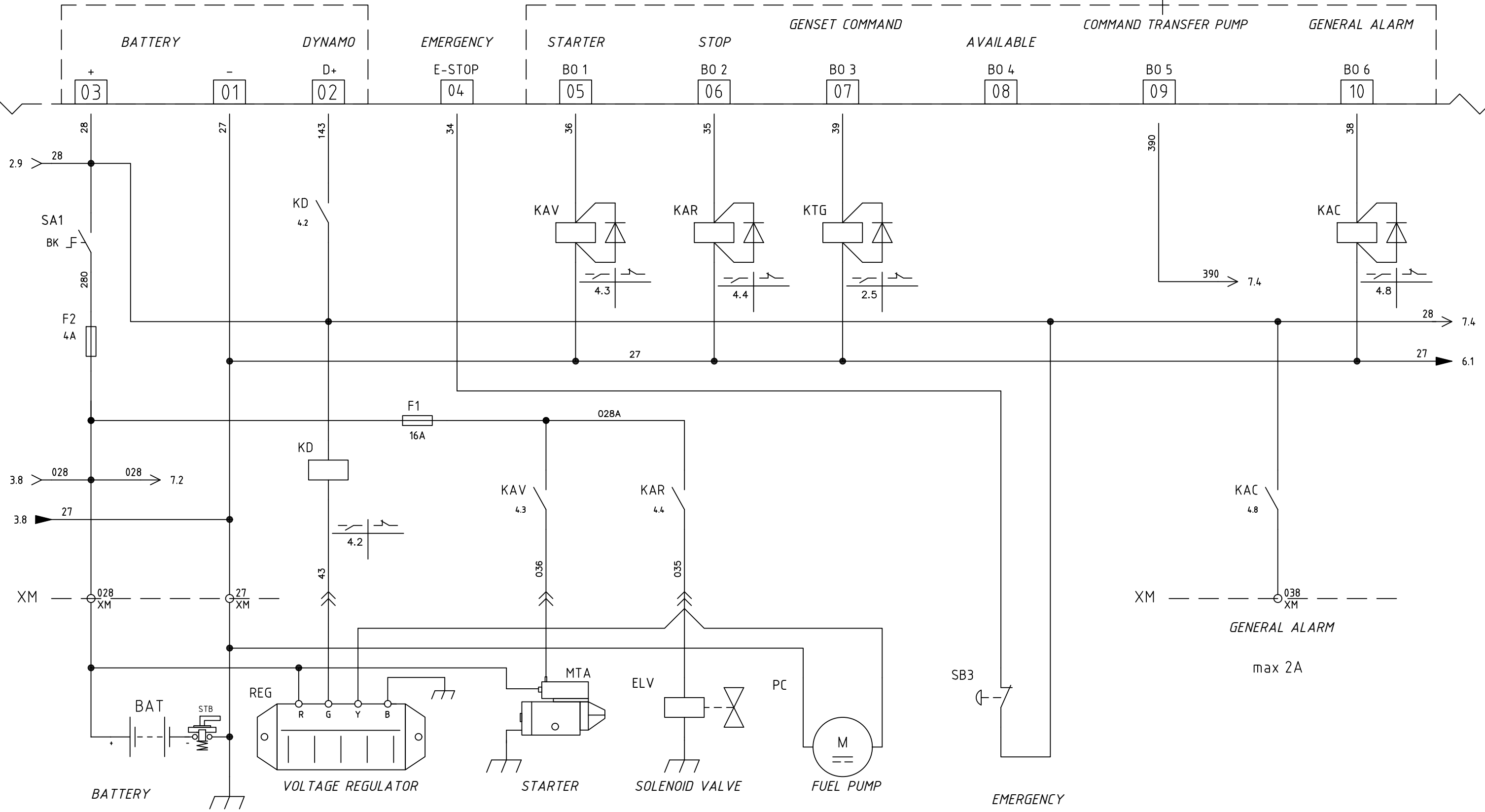
Projekt **nr.1480403**

Dis. N.	E349-23	Impianto	ELECTRIC PANEL
CAD	SPAC	Denominazione	CONTROL UNIT DETECTIONS
Esecutore	BM	Ordine	///
		Data	11/04/24
		FOGLIO	3
		SEGUE	4

ILN-AMF5

(OUT+) Binary Outputs

20% fuel level :ON
90% fuel level :OFF



Projekt nr.1480403

Dis. N. E349-23
CAD SPAC
Esecutore BM

Impianto ELECTRIC PANEL
Denominazione BINARY OUTPUTS

Ordine ///
Data 11/04/24

FOGLIO 4
SEGUE 5

ILN-AMF5

ANALOG INPUTS

GND SENSOR

OIL PRESSURE

TEMPERATURE

FUEL LEVEL

warn. 2bar
stop 1bar

warn. 110°C
stop 115°C

fuel level 90%:stop pump
pre-allarm 20%:start pump
low level 10% : stop ge

-OPTIONAL-

GSM

RS232

TCP-IP
ETHERNET

RS485

A COM

AI 1

OIL
AI 2

AI 3

+5 V

14

15

16

17

18

52

51

50

49

XM

52
XM

SPO

STM

SLC

SERVER

OIL PRESSURE

TEMPERATURE

FUEL LEVEL

OIL



Projekt **nr.1480403**

Dis. N. E349-23

CAD **SPAC**

Esecutore
BM

Impianto **ELECTRIC PANEL**

Denominazione
ANALOGIC INPUTS

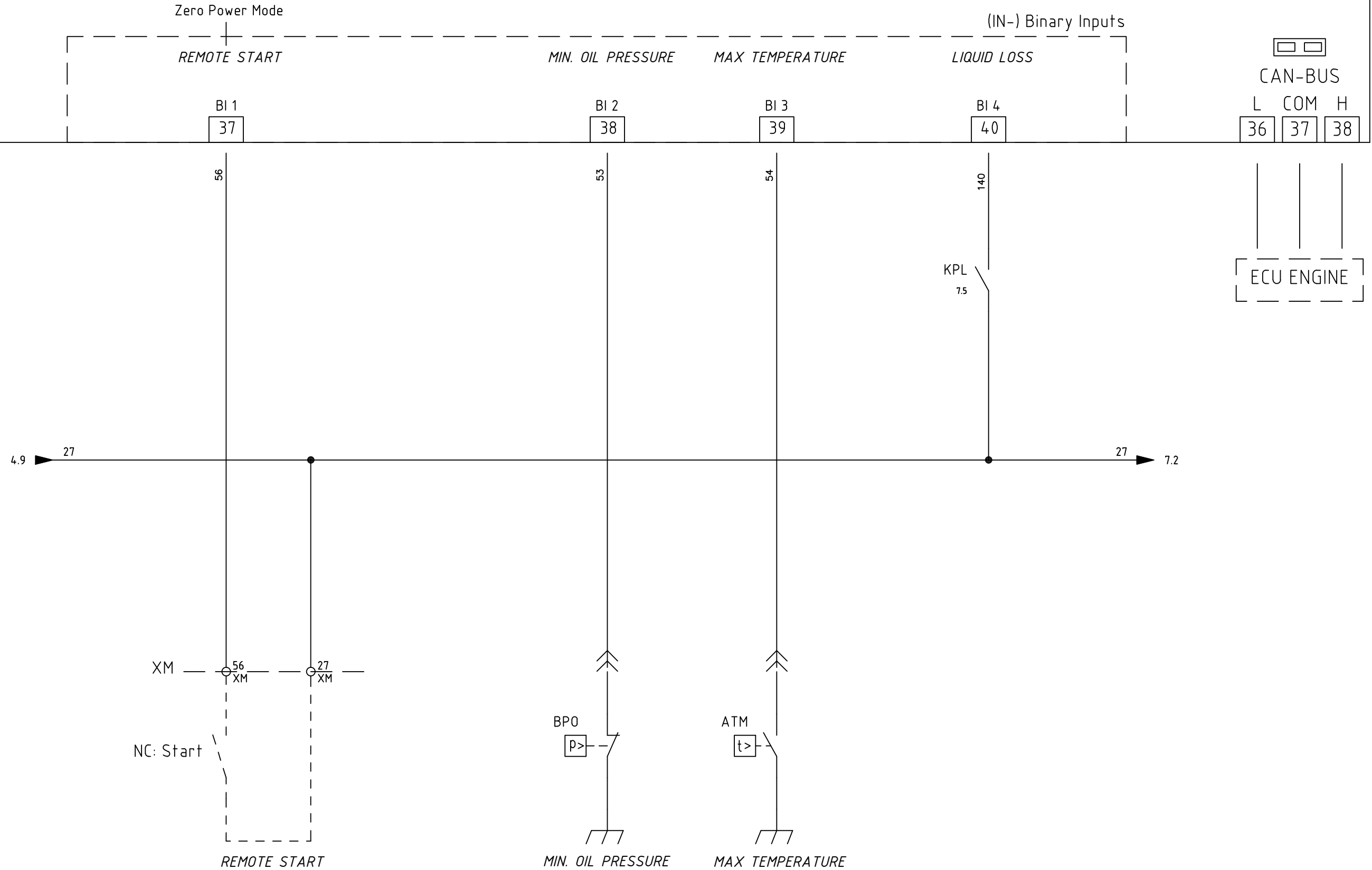
Ordine
///

Data
11/04/24

FOGLIO
5

SEGUE
6

ILN-AMF5



Projekt **nr.1480403**

Dis. N. E349-23

CAD **SPAC**

Esecutore **BM**

Impianto **ELECTRIC PANEL**

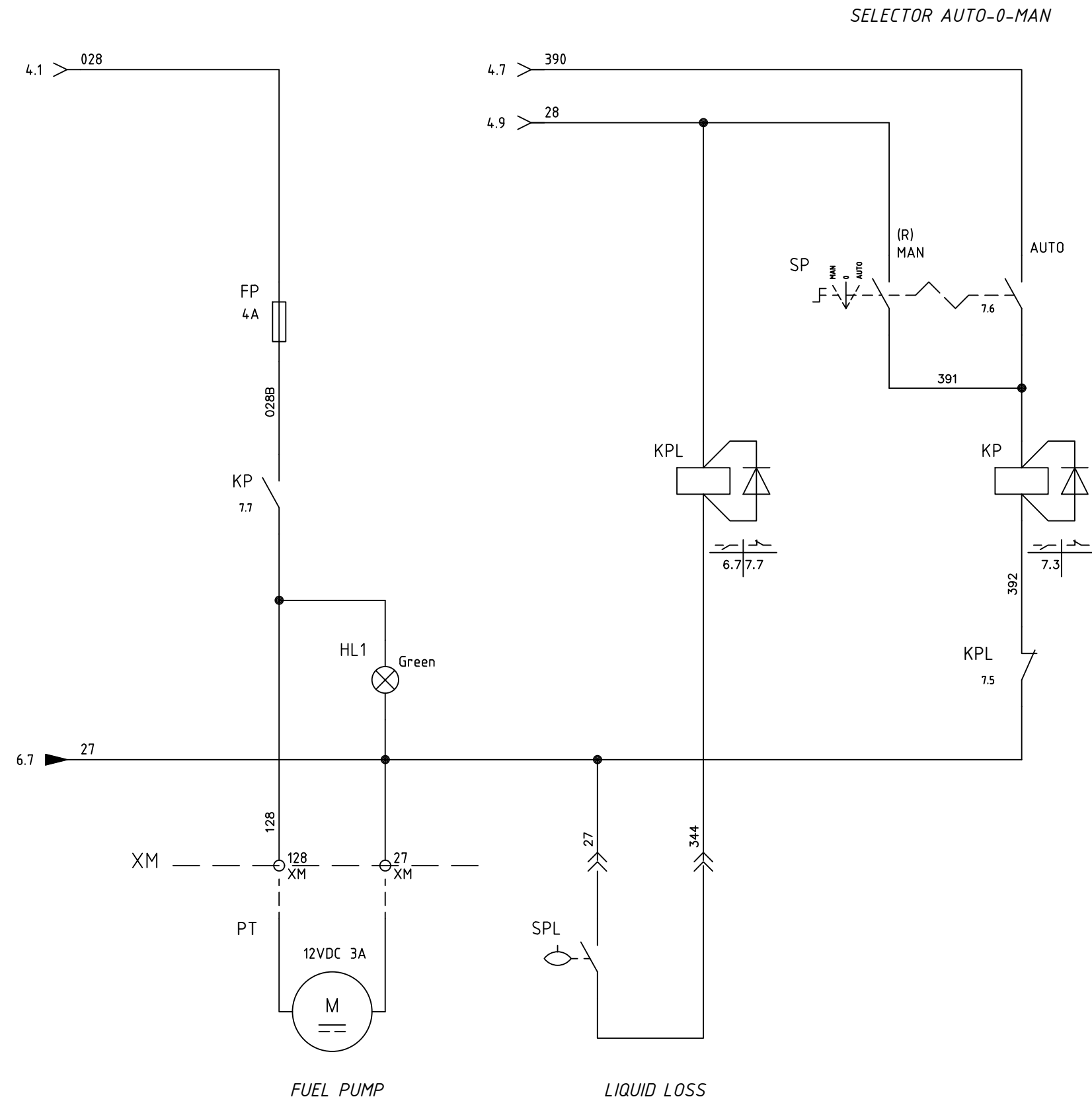
Denominazione **BINARY INPUTS**

Ordine **///**

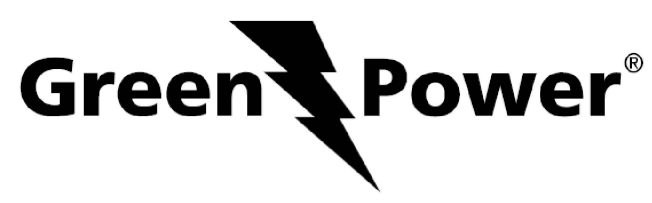
Data **11/04/24**

FOGLIO **6**

SEGUE **7**



(R)
MAN:SPRING RETURN



Projekt **nr.1480403**

Dis. N.	E349-23
CAD	SPAC
Esecutore	BM

Impianto	ELECTRIC PANEL
Denominazione	AUTOMATIC FUEL TRANSFER SYSTEM

Ordine	///	FOGLIO	7
Data	11/04/24	SEGUE	8

Item	Type	Description	Costruttore/Marke	Quadro/Board	Fg/Sh	Q.ta/Q.ty
A1	ILN-AMF5	GENERATOR CONTROL UNIT	Comap	=QG	3	1
BS	A571005	COIL RELEASE S2C-A2 110-250V	ABB	=QG	2	1
CB	DSE 9150	BATTERY CHARGER 3A 12VDC	DSE	=QG	3	1
ELV		OPNE FUELVALVE(TO CLOSE)		=QG	4	1
F1	FB01B1P 1421016	FUSE HOLDER DISCONNECTOR 1P 10X38 NO UR FUSE CH10 DAYS 16A 500V	Lovato Italweber	=QG	4	1 1
F2	FB01B1P 1421004	FUSE HOLDER DISCONNECTOR 1P 10X38 NO UR FUSE CH10 GG 4A 500V	Lovato Italweber	=QG	4	1 1
FCB	FB01B1P 1421002	FUSE HOLDER DISCONNECTOR 1P 10X38 NO UR FUSE CH10 GG 2A 500V	Lovato Italweber	=QG	3	1 1
FP	FB01B1P 1421004	FUSE HOLDER DISCONNECTOR 1P 10X38 NO UR FUSE CH10 GG 4A 500V	Lovato Italweber	=QG	7	1 1
FR	FB01B1P 1421002	FUSE HOLDER DISCONNECTOR 1P 10X38 NO UR FUSE CH10 GG 2A 500V	Lovato Italweber	=QG	3	1 1
FS	FB01B1P 1421002	FUSE HOLDER DISCONNECTOR 1P 10X38 NO UR FUSE CH10 GG 2A 500V	Lovato Italweber	=QG	3	1 1
FT	FB01B1P 1421002	FUSE HOLDER DISCONNECTOR 1P 10X38 NO UR FUSE CH10 GG 2A 500V	Lovato Italweber	=QG	3	1 1
HL1	LPMLA3	GREEN LED LAMP 12VDC	Lovato	=QG	7	1
ID	D2-S	DIFFERENTIAL RELAY 30MA... 30A (AC TYPE)	IME	=QG	2	1
IG	2CSS245101R0105	IBREAKER ABB SN201L-B10	ABB	=QG	2	1
KAC	HR302CD012 HR3X88 HR5XS21 HR6X78024	MINI RELAY 2C.S. 8A / 12VDC SEALING BRIDGE X HR5 PLINTH RELAY SOCKET 2 S.C. DIODE WITH LED 6-24VDC FOR HR30-HR50-HR60 SERIES	Lovato Lovato Lovato Lovato	=QG	4	1 1 1 1
KAR	0.6D.205.001.A1	RELAY 12V/40A	Autoelectric	=QG	4	1
KAV	0.6D.205.001.A1	RELAY 12V/40A	Autoelectric	=QG	4	1
KD	HR302CD012 HR3X88 HR5XS21 HR6X78024	MINI RELAY 2C.S. 8A / 12VDC SEALING BRIDGE X HR5 PLINTH RELAY SOCKET 2 S.C. DIODE WITH LED 6-24VDC FOR HR30-HR50-HR60 SERIES	Lovato Lovato Lovato Lovato	=QG	4	1 1 1 1
KP	HR5XS21 HR6X78024 HR302CD012 HR3X88	RELAY SOCKET 2 S.C. DIODE WITH LED 6-24VDC FOR HR30-HR50-HR60 SERIES MINI RELAY 2C.S. 8A / 12VDC SEALING BRIDGE X HR5 PLINTH	Lovato Lovato Lovato Lovato	=QG	7	1 1 1 1
KPL	HR5XS21 HR6X78024 HR302CD012 HR3X88	RELAY SOCKET 2 S.C. DIODE WITH LED 6-24VDC FOR HR30-HR50-HR60 SERIES MINI RELAY 2C.S. 8A / 12VDC SEALING BRIDGE X HR5 PLINTH	Lovato Lovato Lovato Lovato	=QG	7	1 1 1 1
KTG	HR302CD012 HR3X88 HR5XS21	MINI RELAY 2C.S. 8A / 12VDC SEALING BRIDGE X HR5 PLINTH RELAY SOCKET 2 S.C.	Lovato Lovato Lovato	=QG	4	1 1 1



Projekt nr.1480403

Dis. N. E349-23

CAD SPAC

Esecutore
BM

Impianto **ELECTRIC PANEL**

Denominazione
COMPONENT LIST 1

Ordine
///

Data
11/04/24

FOGLIO
8

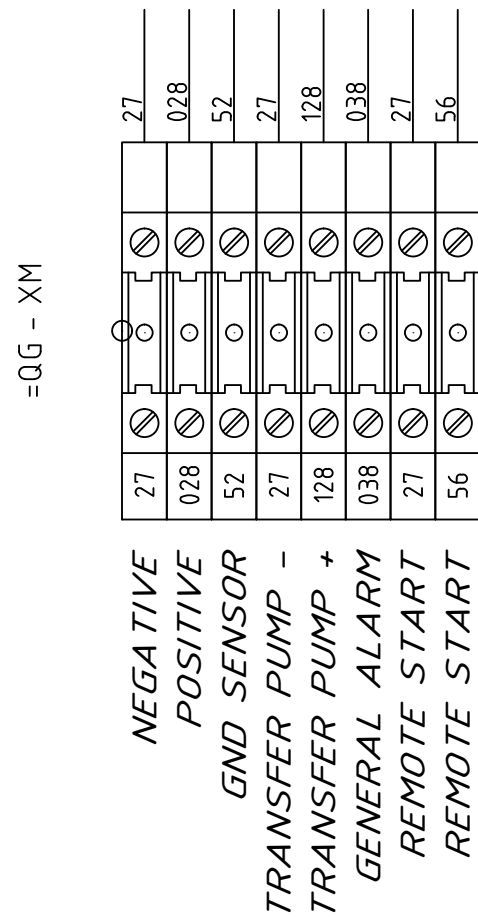
SEGUE
9

Item	Type	Description	Costruttore/Marke	Quadro/Board	Fg/Sh	Q.ta/Q.ty
P1	4152-6F78	SOCKET 16A 5P 6H IP67	PCE	=QG	2	1
P2	4132-6F8	SOCKET 16A 3P 6H IP67	PCE	=QG	2	1
P3	20352-8b	SCHUKO IP68 SOCKET	PCE	=QG	2	1
SA1	LPCS120 LPXC10	SHORT LEVER SELECTOR 0-1 CONTACT NO	Lovato Lovato	=QG	4	1 1
SB3	LPCB6344 LPXC01	EMERGENCY BUTTON D.40 SBL. ROTAZ. CONTACT NC	Lovato Lovato	=QG	4	1 1
SD	LPCSL1204 LPXC10 LPXC01	0-1 SELECTOR SWITCH LUMINOUS RED CONTACT NO CONTACT NC	Lovato Lovato Lovato	=QG	2	1 1 1
SIR	777132-6	MAINS INPUT PLUG 16A 3P 90°	PCE	=QG	3	1
SP	LPCS132 LPXC10	LEVER SELECTOR 3 POS. RETURN CONTACT NO	Lovato Lovato	=QG	7	1 2
STB	19.077.000	BATTERY SWITCH MAX 1000AMP/100AH	Remp	=QG	4	1
TAR	TABB50B500	CURRENT TRANSFORMER 50/5	IME	=QG	2	1
TAS	TABB50B500	CURRENT TRANSFORMER 50/5	IME	=QG	2	1
TAT	TABB50B500	CURRENT TRANSFORMER 50/5	IME	=QG	2	1
TD	TDGA2	TOROID DIFF.LE DIAM.28	IME	=QG	2	1
TL	AF09-40-00-13	COIL 100-250VAC 4NA 25A	ABB	=QG	2	1



Project **nr.1480403**

Dis. N. E349-23 CAD SPAC Esecutore BM	Impianto QUADRO ELETTRICO ELECTRIC PANEL	Ordine ///	FOGLIO 9
	Denominazione ELENCO COMPONENTI 2 COMPONENT LIST 2	Data 11/04/24	SEGUE 10



Projekt **nr.1480403**

Dis. N. E349-23
CAD SPAC
Esecutore BM

Imp <i>ELECTRIC PANEL</i>
Den <i>TERMINAL BOARD</i>

Ordine ///	FOGLIO 10
Data 11/04/24	SEGUE /